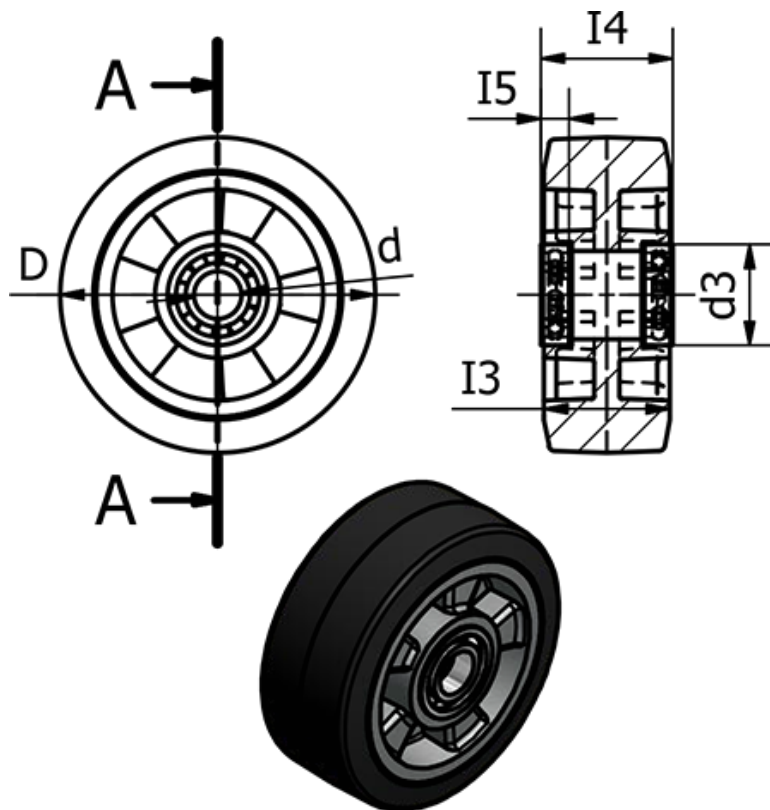


Article number: 2314452774

Description: E+G Cast iron wheel 452774
RE.G2-200-RSL - loose wheel with ball bearings

Measures



	= -	I5	= 17.5
	= -	Rolling resistance (N)	= 3000
Code	= 452774	Static load	= 10000
d	= 200	Type	= RE.G2-200-RSL
d3	= 52	Wight (g)	= 2000
Dynamic carrying capacity (N)	= 5000		
I3	= 50		
I4	= 60		